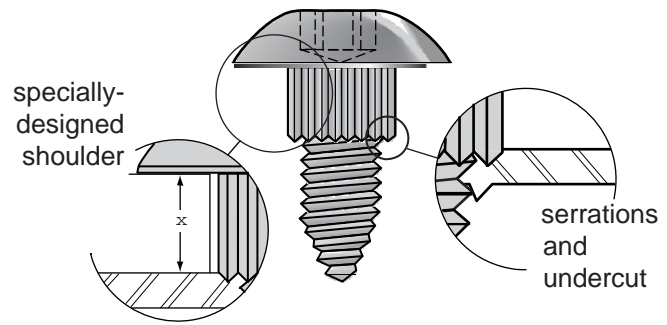


POWERGRIP® FASTENERS FOR LAYERED ASSEMBLIES

Ideal for attaching soft materials, such as plastics and elastomers, to a single thickness of sheet metal, Powergrip® fasteners maintain the integrity of the soft material while providing resistance to strip-out and loosening.



Powergrip Fastener



SPECIFICATIONS

Sizes: M3 – M8 (#4 - 3/8")

Thread Styles: Type CA threads are recommended for maximum thread engagement; others as required

Head Styles: Hex washer, pan, round, truss, hex

Drive Styles: TORX PLUS® Drive; also cross, slotted and hex



6125 Eighteen Mile Road
Sterling Heights, Michigan 48314

acument.com
acumentnorthamerica.com

KEY ADVANTAGES

- Overcomes loosening in metal to plastic/elastomer applications
- Prevents soft material from being crushed during assembly
- Can be used in a variety of materials, soft or brittle, where there is a chance that cracking or crushing of the overlay material may occur

FEATURES & BENEFITS

Individually engineered to meet the unique requirements of each application

- Can be used in a variety of materials, soft or brittle, where there is a chance that cracking or crushing of the overlay material may occur

Specially designed shoulder designed to match the thickness of the soft material in each application

- Prevents soft material from being crushed during assembly

Serrations and a small undercut on the bottom of shoulder to decrease the distance between the last thread and the shoulder

- Increases thread engagement
- Increases strip-out resistance
- Prevents vibration loosening
- Increases torque resistance
- Provides tight, uniform joint

APPLICATIONS

Soft materials such as plastic, rubber and elastomers to sheet metal